

Produktinformation

Pressure Transmitter Series IS30/IS31



- Measuring ranges from -1 ..1.000 bar
- Output signal 4..20 mA
- Devices for Ex areas

Characteristics

Suitable for applications in potentially explosive atmospheres. These pressure transmitters are designed for highest industrial requirements and have ATEX approvals.

Technical data

Power supply

- Supply voltage : 10..30 V DC (U+)
- Power consumption Pi : 800 mW
- Process temperature : -20..+80 °C
- Option 05 : -40..+150 °C only IS30, ≤ 400 bar
- : -20..+150 °C only IS31, ≤ 600 bar

- Ambient temperature : -20..+80 °C
- Storage temperature : -20..+80 °C
- CE-conformity
- Pressure equipment directive : 2014/68/EU
- EMC-directive
- Emissions : 2014/30/EU, EN 61326-1:2013; EN 61326-2-3:2013 (group 1, class B)
- Safety integrity : Sil 2; IEC 61508-2:2010; IEC61511-1:2003+ Corr.: 2004
- ATEX directive : 2014/34/EU; EN60079-0:2012 + A11:2013; II 1/2G Ex ia II C T4/T5/T6 Ga/Gb

Output

- Current : 4..20 mA, 2-wire
- Max. Load R_A : R_A ≤ (U+ - 10V) ÷ 0,02A
- Accuracy : 0,5 %, optional 0,25 %

Material

- Process connection : CrNi-steel
- Housing : CrNi-steel
- Sealing (IS31, only) : NBR

Transmissions medium

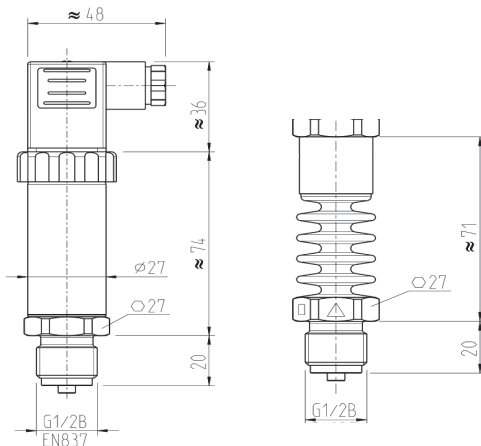
- Measuring range up to 25 bar : Synthetic oil
- Measuring range >25bar : dry measuring cell

Diaphragm

- : IS31 = flush
- : IS30 = standard pressure port

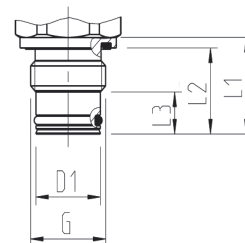
- Electrical connection : 4-pole plug EN 175301-803/A ; PG 9
- Protection class : IP65

Dimensions



IS30

IS30 with option 05



IS31

D1 = 18 mm

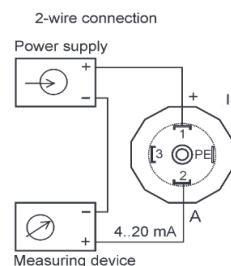
L1 = 23 mm

L2 = 20,5 mm

L3 = 10 mm

G = G1/2 B

Connection diagram



Ordering code

IS3 1. - 2. - 3. - 4. - 5.

1. Model	
0	standard pressure port, G ½ B, -1..0 / 0..1.000 bar
1	flush diaphragm , G ½ B, -1..0 / 0..600 bar
2. Output	
2	4..20 mA, 2-wire (10..30 V DC)
3. Options	
00	without option
02	accuracy 0,25 % (M.-ranges ≥ 0,25 bar)
03	absolute measurement (M.-ranges ≤ 25 bar)
04	custom measuring range
05	process temperature -40(-20)..+150 °C
5. Measuring ranges [bar]	
	-1/ 0,1/ 0,16/ 0,25/ 0,4/ 0,6/ 1/ 1,6/ 2,5/ 4/ 6/ 10/ 16/ 25/ 40/ 60/ 100/ 160/ 250/ 400/ 600/ 1000/