

TA3437

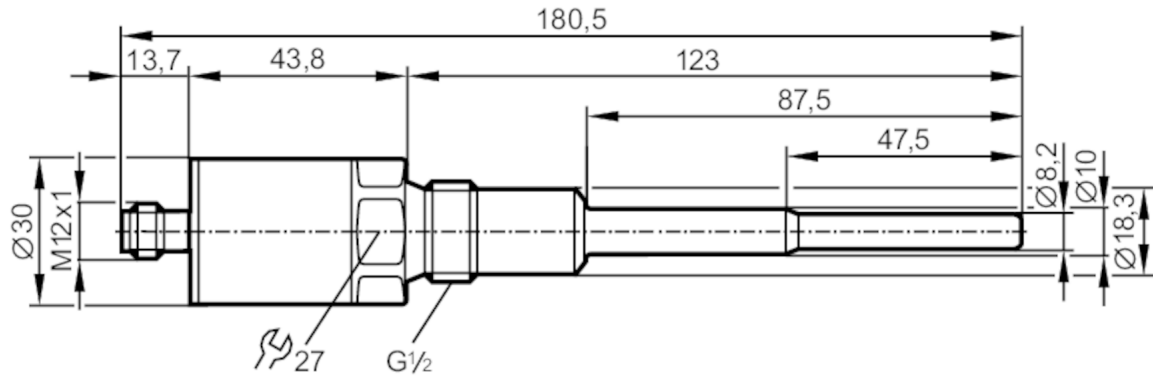


Temperature transmitter

TA-123.LDR12-A-ZVG/US/

Article no longer available - archive entry

Alternative article: TA2517 or TA2537 When selecting an alternative article and accessories please note that technical data may differ!; discontinued article – When selecting an alternative article and accessories please note that technical data may differ! – Discontinuation date: 31.03.2017



Product characteristics

| | | |
|------------------------------|---|-------------|
| Number of inputs and outputs | Number of analogue outputs: 1 | |
| Measuring range | 0...100 °C | 32...212 °F |
| Process connection | threaded connection G 1/2 external thread | |
| Installation length EL [mm] | 87.5 | |

Application

| | | |
|---------------------------------|--|----------------------|
| Special feature | Gold-plated contacts | |
| Measuring element | 1 x Pt 1000; (to DIN EN 60751, class A) | |
| Media | liquids and gases | |
| Medium temperature | < 150; (< 40 min) °C | < 302; (< 40 min) °F |
| Pressure rating [bar] | 300 | |
| Note on pressure rating | sensor | |
| Minimum installation depth [mm] | When mounted in adapters the specifications of the adapter data sheet apply. 15 | |

Electrical data

| | | |
|-----------------------------|---|--|
| Operating voltage [V] | 10...30 DC; (according to EN 50178 SELV/PELV) | |
| Protection class | III | |
| Reverse polarity protection | yes | |

Inputs / outputs

| | | |
|------------------------------|-------------------------------|--|
| Number of inputs and outputs | Number of analogue outputs: 1 | |
|------------------------------|-------------------------------|--|

TA3437



Temperature transmitter

TA-123.LDR12-A-ZVG/US/

| Outputs | | |
|--|---|---------------------|
| Total number of outputs | | 1 |
| Output signal | | analogue signal |
| Number of analogue outputs | | 1 |
| Analogue current output [mA] | | 4...20 |
| Max. load [Ω] | | 500 |
| Overload protection | | yes |
| Measuring/setting range | | |
| Probe length L [mm] | | 47.5 |
| Measuring range | 0...100 °C | 32...212 °F |
| Resolution | | |
| Resolution of analogue output [K] | | 0.02 |
| Accuracy / deviations | | |
| Precision analogue output [K] | $\pm 0,1$ (60°C / 140°F) / $\pm 0,3$ (0...100°C / 32...212°F) | |
| Temperature coefficient [% of the span / 10 K] | < $\pm 0,1$; (in case of deviation from the reference condition 25 \pm 5 °C) | |
| Response times | | |
| Dynamic response T05 / T09 [s] | 1 / 3; (to DIN EN 60751) | |
| Operating conditions | | |
| Ambient temperature [°C] | -25...70 | |
| Storage temperature [°C] | -40...100 | |
| Protection | IP 68; IP 69K | |
| Tests / approvals | | |
| EMC | DIN EN 61000-4-2 ESD | 4 kV CD / 8 kV AD |
| | EN 61000-4-3 HF radiated | 10 V/m |
| | DIN EN 61000-4-4 Burst | 2 kV |
| | DIN EN 61000-4-5 Surge | 0,5/1 kV |
| | EN 61000-4-6 HF conducted | 10 V |
| Shock resistance | DIN EN 60068-2-27 | 50 g (11 ms) |
| Vibration resistance | DIN EN 60068-2-6 | 10 g (10...2000 Hz) |
| MTTF [years] | | 1119 |
| Mechanical data | | |
| Weight [g] | 228 | |
| Dimensions [mm] | \varnothing 30 / L = 180.5 | |
| Materials | stainless steel (1.4404 / 316L); stainless steel (1.4301 / 304); stainless steel (1.4305 / 303); PA | |
| Materials (wetted parts) | stainless steel (1.4404 / 316L) | |
| Tightening torque [Nm] | 30...50 | |
| Process connection | threaded connection G 1/2 external thread | |
| Installation length EL [mm] | 87.5 | |

TA3437



Temperature transmitter

TA-123.LDR12-A-ZVG/US/

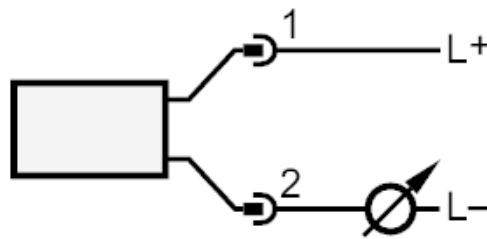
| Remarks | |
|---------------|--|
| Remarks | referring to UL: for use on a low voltage circuit with overcurrent protection in accordance with UL873 tab. 28.1 or $I_{max} = 100/U_b$ (U_b = voltage of the circuit) |
| Notes | The values for accuracy apply to flowing water. |
| Pack quantity | discontinued article 1 pcs. |

Electrical connection

Connector: 1 x M12; Contacts: gold-plated



Connection



Article no longer available - archive entry

Alternative article: TA2517 or TA2537 When selecting an alternative article and accessories please note that technical data may differ!; discontinued article – When selecting an alternative article and accessories please note that technical data may differ! – Discontinuation date: 31.03.2017