

P-Series, Steel Hand Pumps

▼ Shown from top to bottom: P-462, P-84, P-801, P-77, P-80, P-39



- Two-speed operation for reduced operator fatigue (except P-39)
- 4-way valving on the P-84 and P-464 for operation of double-acting cylinders
- External load release valve on remaining models for single-acting cylinder operation
- Internal pressure relief valve for overload protection
- Large oil capacity to power a wide range of cylinders or tools.

▼ In the absence of a power supply, the P-80 Hand Pump offers a powerful solution.



The Solution for Tough Jobs



Two Speed Pumps

Recommended for applications where cylinder plunger must advance rapidly to load contact, and applications where greater oil capacities are required, such as multiple cylinder hook-ups.



Foot Pump Conversion Kits

Convert your P-39 to foot power with the **PC-10** Kit. Includes instructions for easy conversion.



Gauges

Minimize the risk of overloading and ensure long, dependable service from your equipment. Refer to the System Components section for a full range of gauges.

Page: 128



4-Way Control Valve

P-84 and P-464 feature a manual 4-way control valve, designed for use with one double-acting or two single-acting cylinders. For system set-up information:

Page: 244

Pump Type	Usable Oil Capacity (cm ³)	Model Number	Pressure Rating** (bar)		Oil Displacement per Stroke (cm ³)		Max. Handle Effort (kg)
			1 st stage	2 nd stage	1 st stage	2 nd stage	
Single	655	P-39	-	700	-	2,62	50
Two-Speed	770	P-77	14	700	16,00	2,41	43
	2200	P-80*	25	700	16,22	2,46	47
	4080	P-801	25	700	16,22	2,46	47
	2200	P-84	25	700	16,22	2,46	47
	7423	P-462	14	700	126,20	4,75	49
	7423	P-464	14	700	126,20	4,75	49

* Available as a set, see note on next page.

** Contact Enerpac for applications where operating pressure is less than 10% of pressure rating.

Steel Hand Pumps

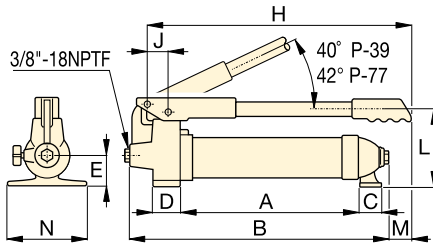
P Series



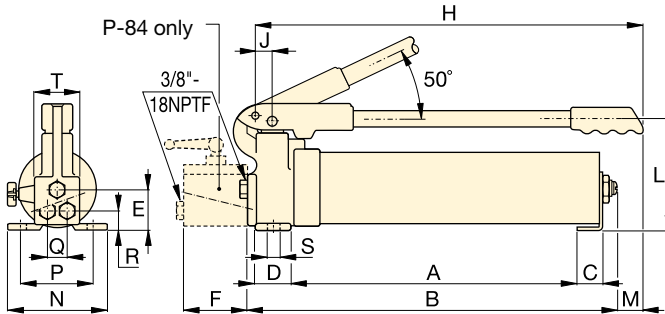
Reservoir Capacity:
655 - 7423 cm³

Flow at Rated Pressure:
2,46 - 4,75 cm³/stroke

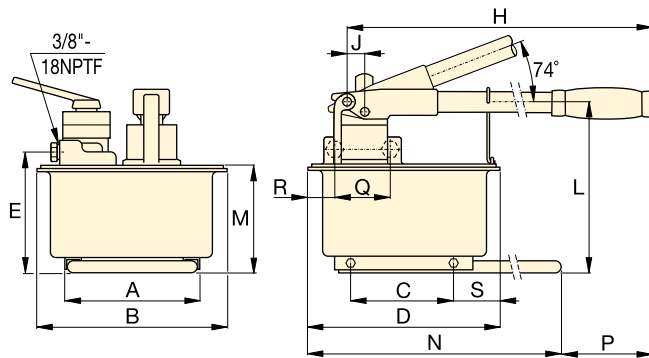
Maximum Operating Pressure:
700 bar



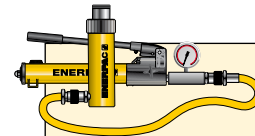
P-39, P-77



P-80, P-801, P-84



P-462, P-464



Pump-Cylinder Sets

The P-80 is also available as set (pump, cylinder, gauge, couplers and hose) for your ordering convenience.

Page: **62**



Speed Chart

To determine how a specific pump will operate your cylinder, see the Pump-Cylinder Speed Chart in the 'Yellow Pages'.

Page: **249**



Cylinder Matching Chart

For help in selecting the correct hand pump for your application, please refer to the Cylinder Matching Chart located in the 'Yellow Pages'.

Page: **242**

Piston Stroke	Dimensions (mm)																	Model Number	
	(mm)	A	B	C	D	E	F	H	J	L	M	N	P	Q	R	S	T		(kg)
20,6	393	520	33	38	32	-	464	30	119	65	133	-	-	-	-	-	-	5,9	P-39
25,4	418	525	33	40	52	-	560	34	115	50	120	-	-	-	-	-	-	6,8	P-77
25,4	425	539	25	44	54	-	527	29	174	19	146	121	-	21	8	67	10,9	P-80*	
25,4	659	782	25	44	54	-	772	29	174	-	146	121	-	21	8	67	14,1	P-801	
25,4	425	539	25	44	-	64	527	29	174	19	146	121	38	43	8	67	13,2	P-84	
38,1	210	308	163	320	195	-	671	25	270	175	650	92	-	-	80	-	27,7	P-462	
38,1	210	308	163	320	195	-	671	25	270	175	650	92	89	68	80	-	27,7	P-464	